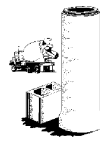


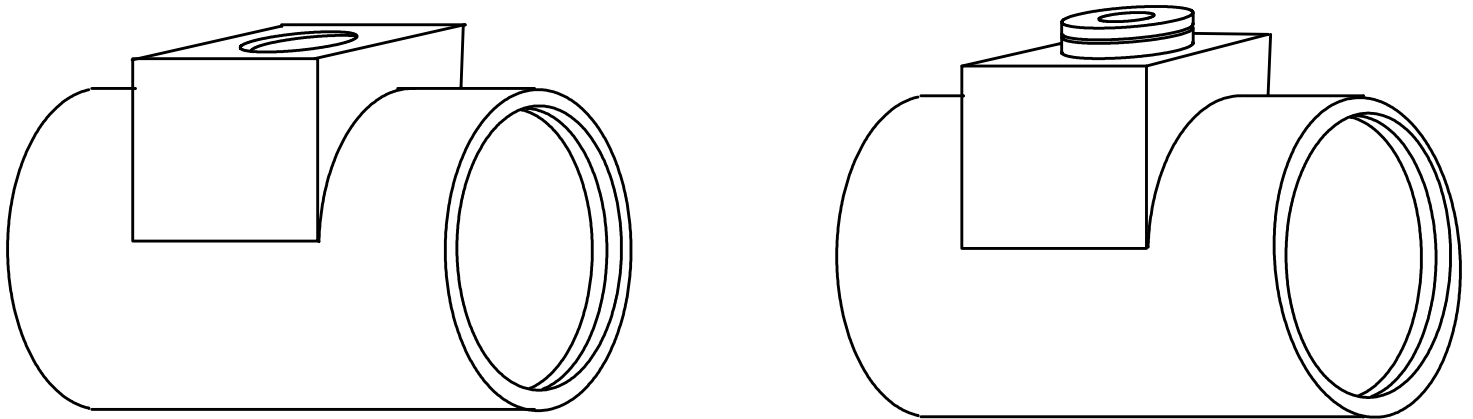
# PRECAST MANHOLE TEE BASES



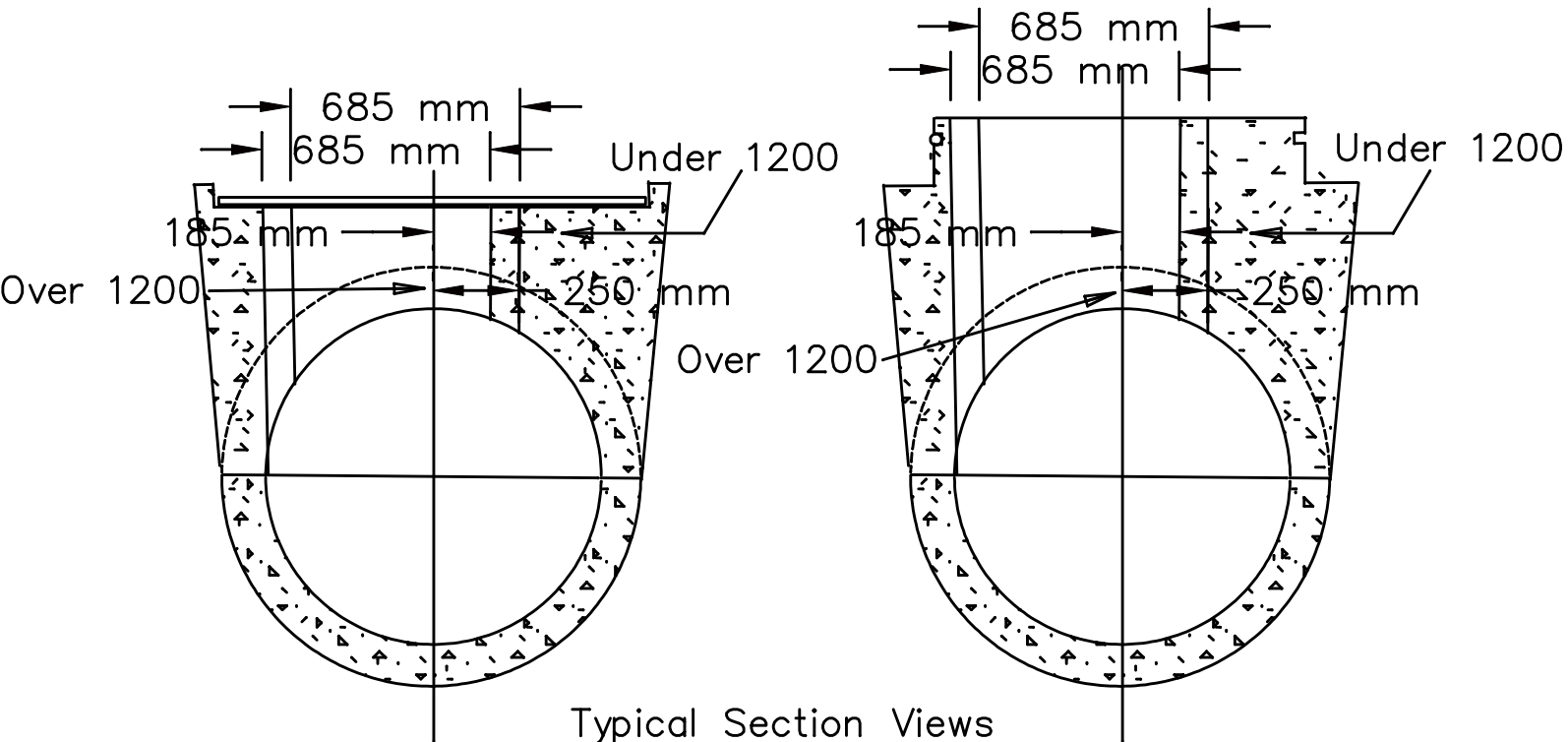
**VJRICE**  
CONCRETE LIMITED  
*Specialist in concrete products.*

Phone (902) 665-4444  
Fax (902) 665-4017  
P.O. Box 399, Bridgetown  
Nova Scotia, B0S 1C0

750mm, 900mm, 1050mm, 1200mm  
and 1500mm Diameter.



Isometric Views  
Designed to Accomodate Standard  
1050 mm Dia. Manhole Shafting



Typical Section Views

NOMINAL SIZE (SOFT METRIC CONVERSION)

RC-10