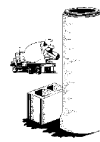
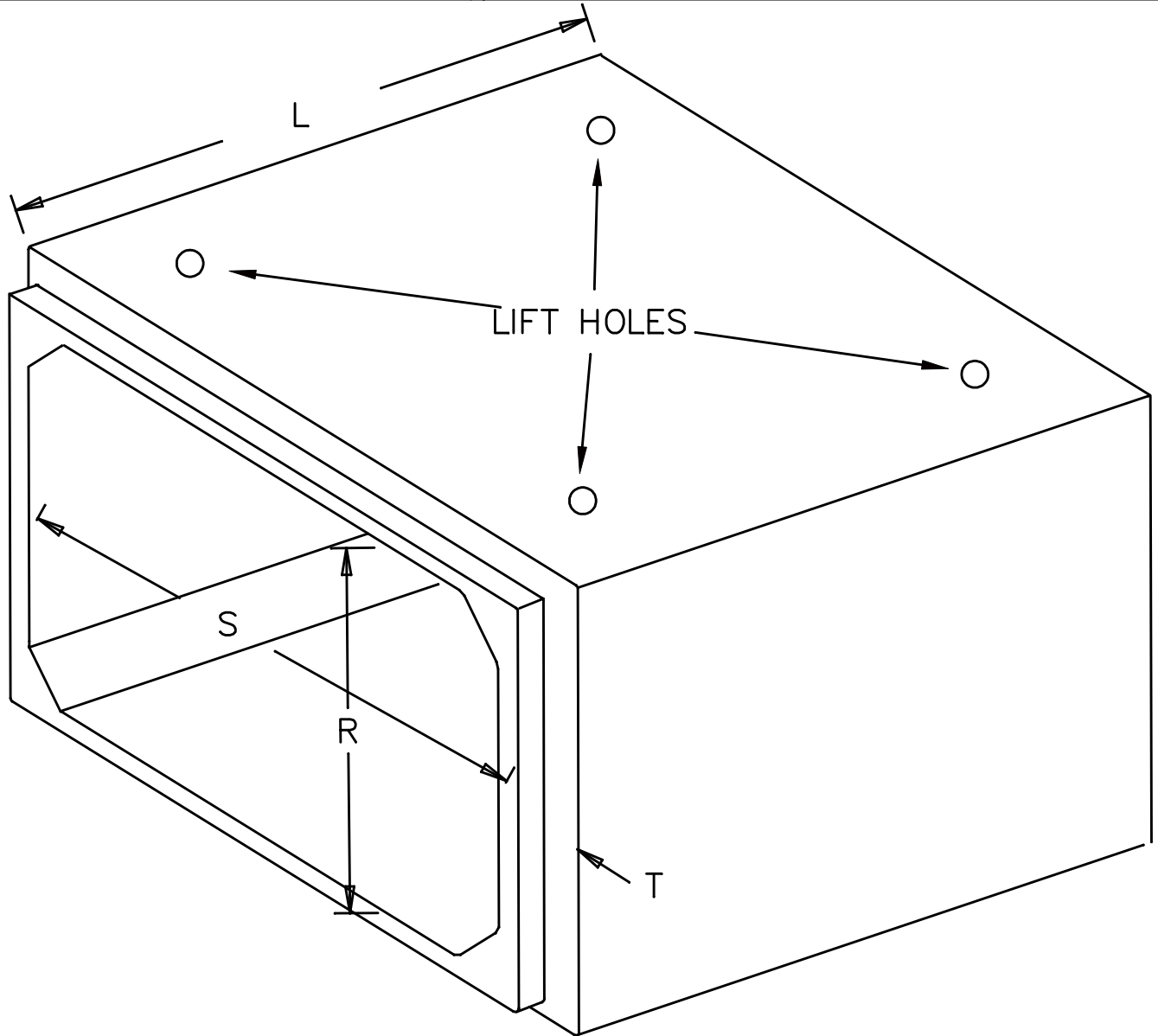


PRECAST CONCRETE BOX CULVERTS



VJRICE
CONCRETE LIMITED
Specialist in concrete products.

Phone (902) 665-4444
Fax (902) 665-4017
P.O. Box 399, Bridgetown
Nova Scotia, B0S 1C0



NOMINAL SIZE (SOFT METRIC CONVERSION)

| SPAN | RISE | W A L L T H I C K N E S S | L A I D L E N G T H |
|--------------|--------------|------------------------------|------------------------|
| m m | m m | m m | m |
| S | R | T | L |
| 1 8 0 0 (6') | 1 2 0 0 (4') | 1 7 8 | 2 |
| 1 2 0 0 (4') | 1 8 0 0 (6') | 1 7 8 | 2 |
| 1 8 0 0 (6') | 2 4 0 0 (8') | 2 0 3 | 1.73 |
| 2 4 0 0 (8') | 1 8 0 0 (6') | 2 0 3 | 1.73 |

Concrete Box Culverts are Manufactured to ASTM Standards
C-789 For "Fill Heights" Greater Than 0.6M
C-850 For A "Fill Height" Less Than 0.6M