

V J RICE CONCRETE LIMITED

MANHOLES
AND
ASSOCIATED
PRODUCTS

RICE
CONCRETE

ASSOCIATED PRODUCT CATALOGS

- ◆ Reinforced Concrete Pipe & Accessories
- ◆ Reinforced Concrete Catch Basins
- ◆ Reinforced Concrete Septic Tanks

Table of Contents

MANHOLE AND ASSOCIATED PRODUCTS	MH-1
Maximum Pipe Sizes For Precast Manholes	MH-2
Typical Flat Top Manhole	MH-3
1050mm Manhole With Eccentric Cone	MH-4
Manhole Intermediate Sections	MH-5
Manhole Base Sections	MH-6
Manhole Base With Bottom	MH-7
Manhole Base With Bottom and Rough Cut or Cut In Holes	MH-8
Manhole Base With In-wall Gasket and Benching	MH-9
Manhole Covers	MH-10
Shafting and Grade Rings	MH-11
Eccentric Cone and Transition Covers	MH-12
1200mm Internal Drop Manhole	MH-13
Typical Valve Box and Air Release Valve	MH-14
Standard 1500mm,1800mm,2100mm & 2400mm Lift Station	MH-15
Jointing Procedures for “O” Ring Gasket Manhole	MH-16
Jointing Procedures For Tylox SuperSeal Gasket Manhole	MH-16a
Large Mounting Structure (Pumpstation Control Panel)	MH-17
Small Mounting Structure (Pumpstation Control Panel)	MH-18

**MANHOLES
AND
ASSOCIATED
PRODUCTS**

MH-1

V J RICE CONCRETE LIMITED

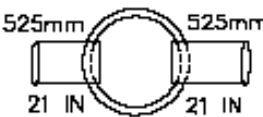
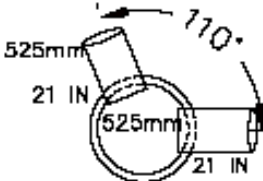
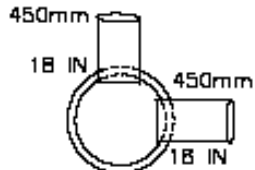
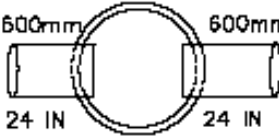
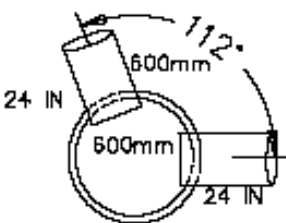
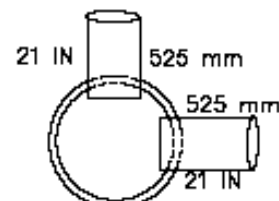
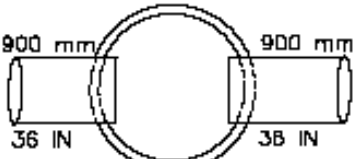
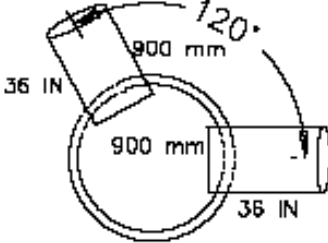
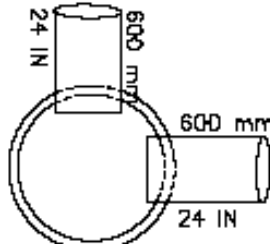
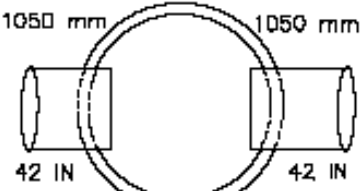
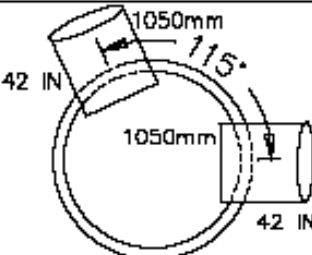
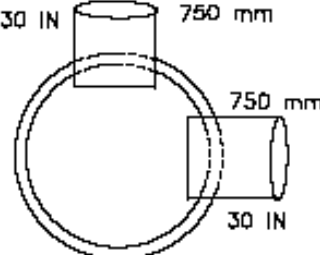
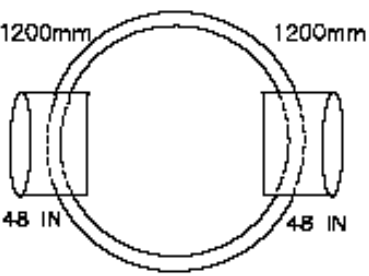
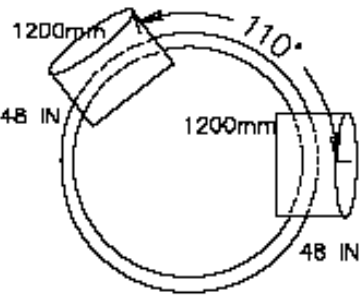
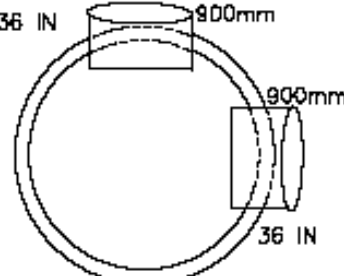
MAX PIPE SIZES MANHOLES

VJ RICE

CONCRETE LIMITED
Specialist in concrete products

Phone: (902)865-4444
Fax: (902)665-4017

P.O. Box 398, Bridgetown
Nova Scotia, B0S 1C0

MANHOLE INSIDE DIAMETER	MAXIMUM PIPE SIZE FOR STRAIGHT THROUGH INSTALLATION	MAXIMUM PIPE SIZE AND MINIMUM ANGLE *	MAXIMUM PIPE SIZE FOR RIGHT ANGLE INSTALLATION *
1050 mm 42 IN			
1200 mm 48 IN			
1500 mm 60 IN			
1800 mm 72 IN			
2100 mm 84 IN			
* SMALLER ANGLES OR LARGER PIPE SIZES MAY BE OBTAINED BY OFF-CENTERING THE PIPE.			MH-2

TYPICAL FLAT TOP MANHOLE

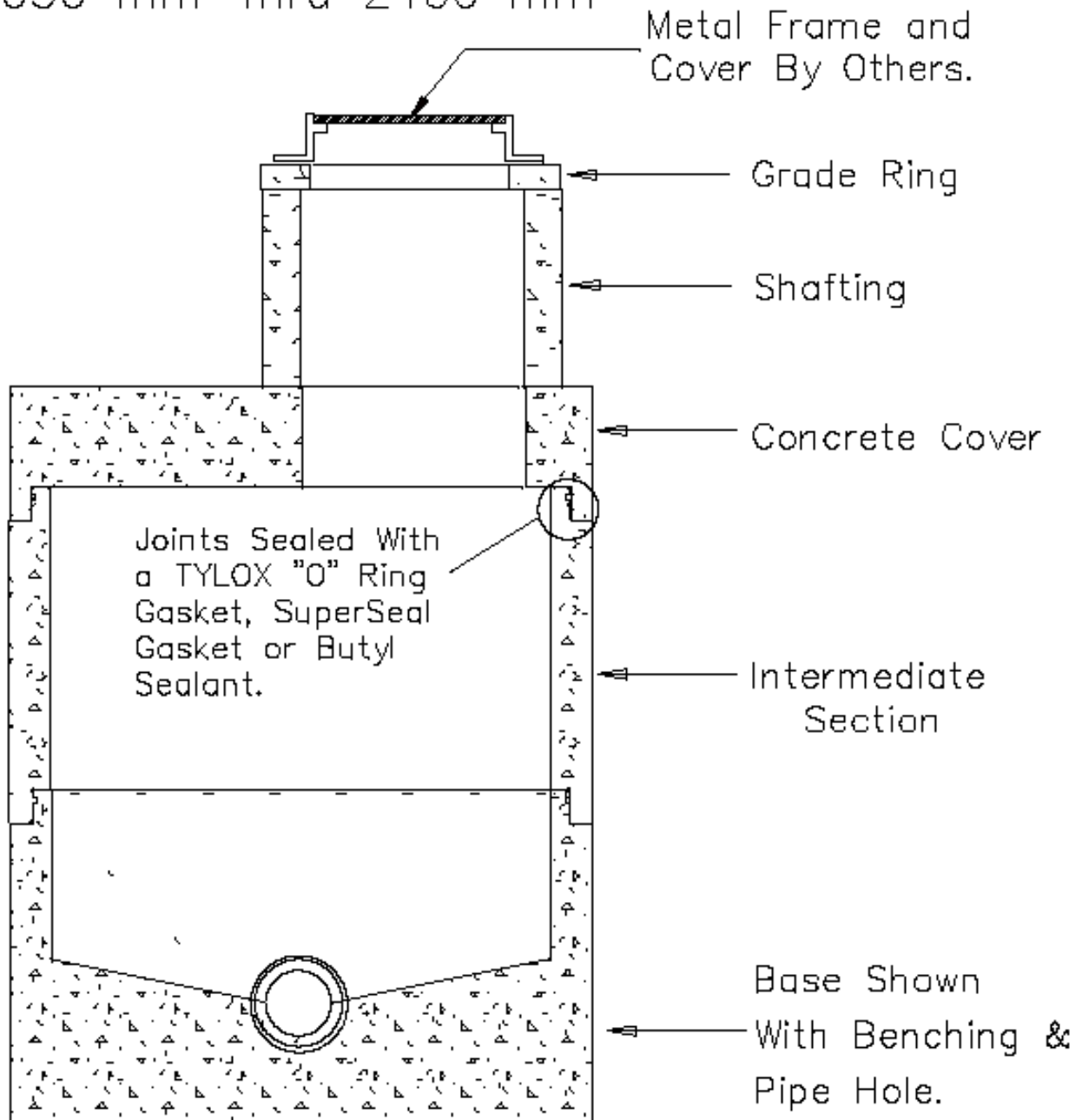
VJ RICE

CONCRETE LIMITED
Specialist in concrete products

Phone: (902)665-4444
Fax: (902)665-4017

P.O. Box 399, Bridgetown
Nova Scotia, B0S 1C0

1050 mm Thru 2400 mm



CONFORMS TO ASTM C478

MH-3

V J RICE CONCRETE LIMITED

**MANHOLE WITH
ECCENTRIC CONE**

VJ RICE

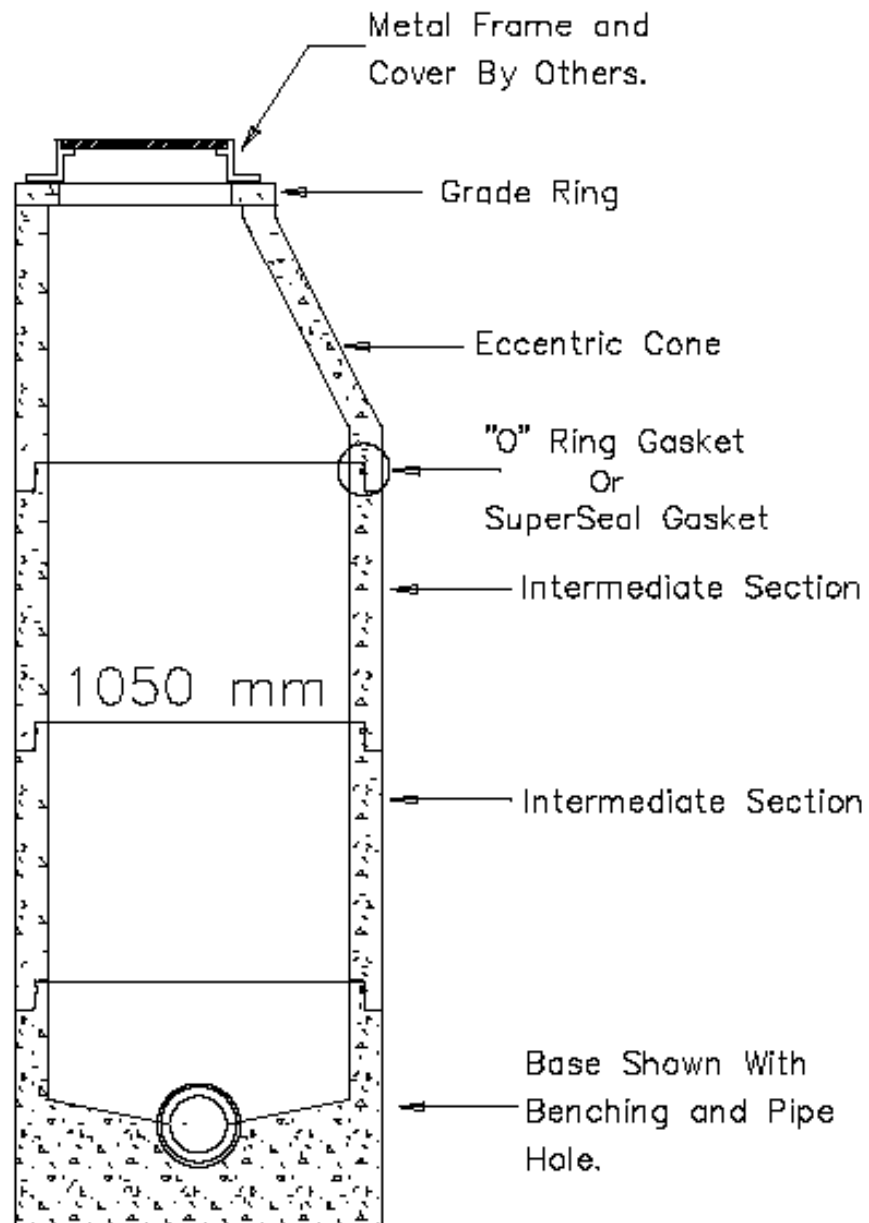
CONCRETE LIMITED

Specialist in concrete products

Phone: (902)665-4444

Fax: (902)665-4017

P.O. Box 389, Bridgetown
Nova Scotia, B0S 1C0



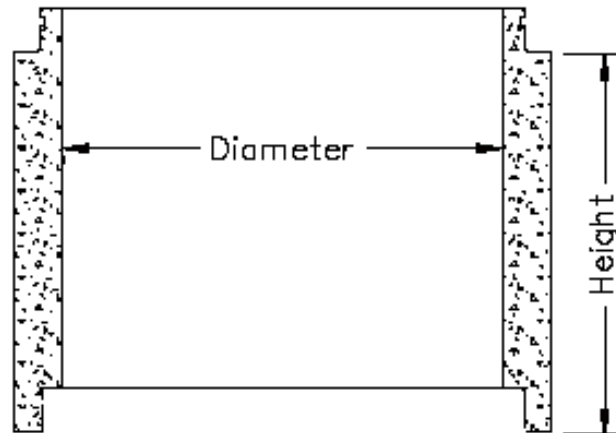
CONFORMS TO ASTM C478

MH-4

**INTERMEDIATE
SECTIONS**

VJ RICE
CONCRETE LIMITED
Specialist in concrete products

Phone: (902)665-4444
Fax: (902)665-4017
P.O. Box 398, Bridgetown
Nova Scotia, B0S 1C0



HEIGHT INCHES	INTERMEDIATE DIAMETER					
	MILLIMETERS	(INCHES)				
	1050 (42)	1200 (48)	1500 (60)	1800 (72)	2100 (84)	2400 (96)
12	AI12	EI12	KI12	LI12		
18	AI18	EI18	KI18	LI18	MI18	
24	AI24	EI24	KI24	LI24	MI24	QI24
30	AI30	EI30				
36	AI36	EI36	KI36	LI36	MI36	QI36
42	AI42	EI42	KI42			
48	AI48	EI48	KI48	LI48	MI48	QI48
60	AI60	EI60	KI60	LI60	MI60	QI60
72	AI72	EI72	KI72	LI72	MI72	QI72

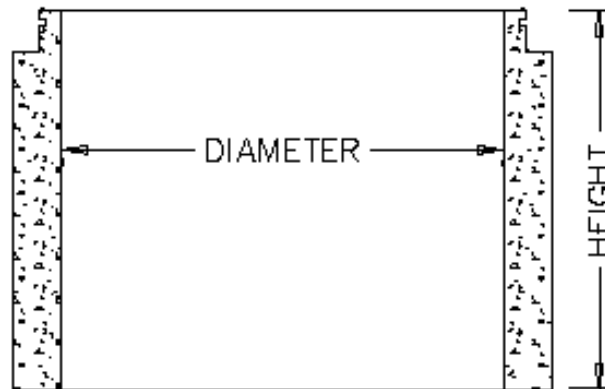
MH-5

V J RICE CONCRETE LIMITED

MANHOLE BASE SECTIONS

VJ RICE
 CONCRETE LIMITED
Specialist in concrete products

Phone: (902)665-4444
 Fax: (902)665-4017
 P.O. Box 389, Bridgetown
 Nova Scotia, B0S 1C0



HEIGHT	BASE DIAMETER					
	MILLIMETERS			(INCHES)		
INCHES	1050 (42)	1200 (48)	1500 (60)	1800 (72)	2100 (84)	2400 (96)
12	AB12	EB12				
18	AB18	EB18				
24	AB24	EB24	KB24	LB24	MB24	QB24
30	AB30	EB30				
36	AB36	EB36	KB36	LB36	MB36	QB36
42	AB42	EB42				
48	AB48	EB48	KB48	LB48	MB48	QB48
60	AB60	EB60				
72	AB72	EB72	KB72	LB72	MB72	QB72

MH-6

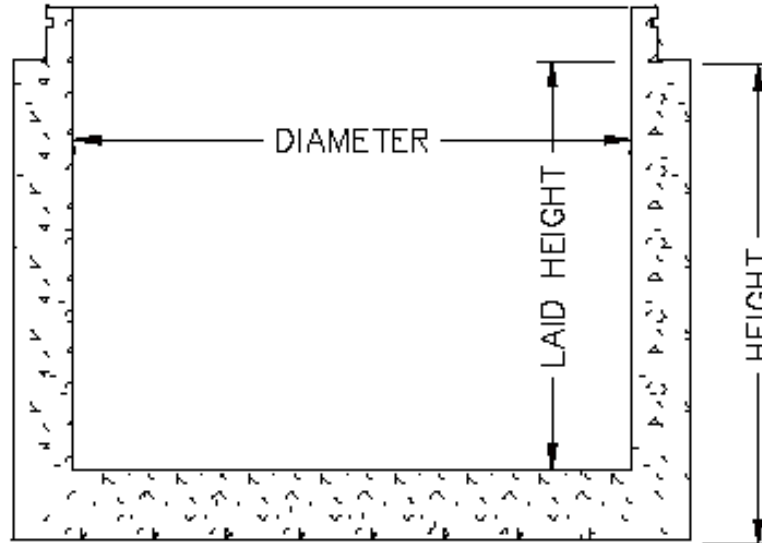
V J RICE CONCRETE LIMITED

**MANHOLE BASE
w/ BOTTOM**

VJ RICE
CONCRETE LIMITED
Specialist In concrete products

Phone: (902)665-4444
Fax: (902)665-4017

P.O. Box 399, Bridgetown
Nova Scotia, B0S 1C0



HEIGHT INCHES	LAID HEIGHT INCHES	INTERMEDIATE DIAMETER					
		MILLIMETERS		(INCHES)			
		1050 (42)	1200 (48)	1500 (60)	1800 (72)	2100 (84)	2400 (96)
12	6	APB12	EPB12		LPB12		
18	12	APB18	EPB18	KPB18	LPB18		
24	18	APB24	EPB24	KPB24	LPB24	MPB24	QPB24
30	24	APB30	EPB30				
36	30	APB36	EPB36	KPB36	LPB36	MPB36	QPB36
42	36	APB42	EPB42				
48	42	APB48	EPB48	KPB48	LPB48	MPB48	QPB48
60	54	APB60	EPB60	KPB60	LPB60	MPB60	QPB60
72	66	APB72	EPB72	KPB72	LPB72	MPB72	QPB72

MH-7

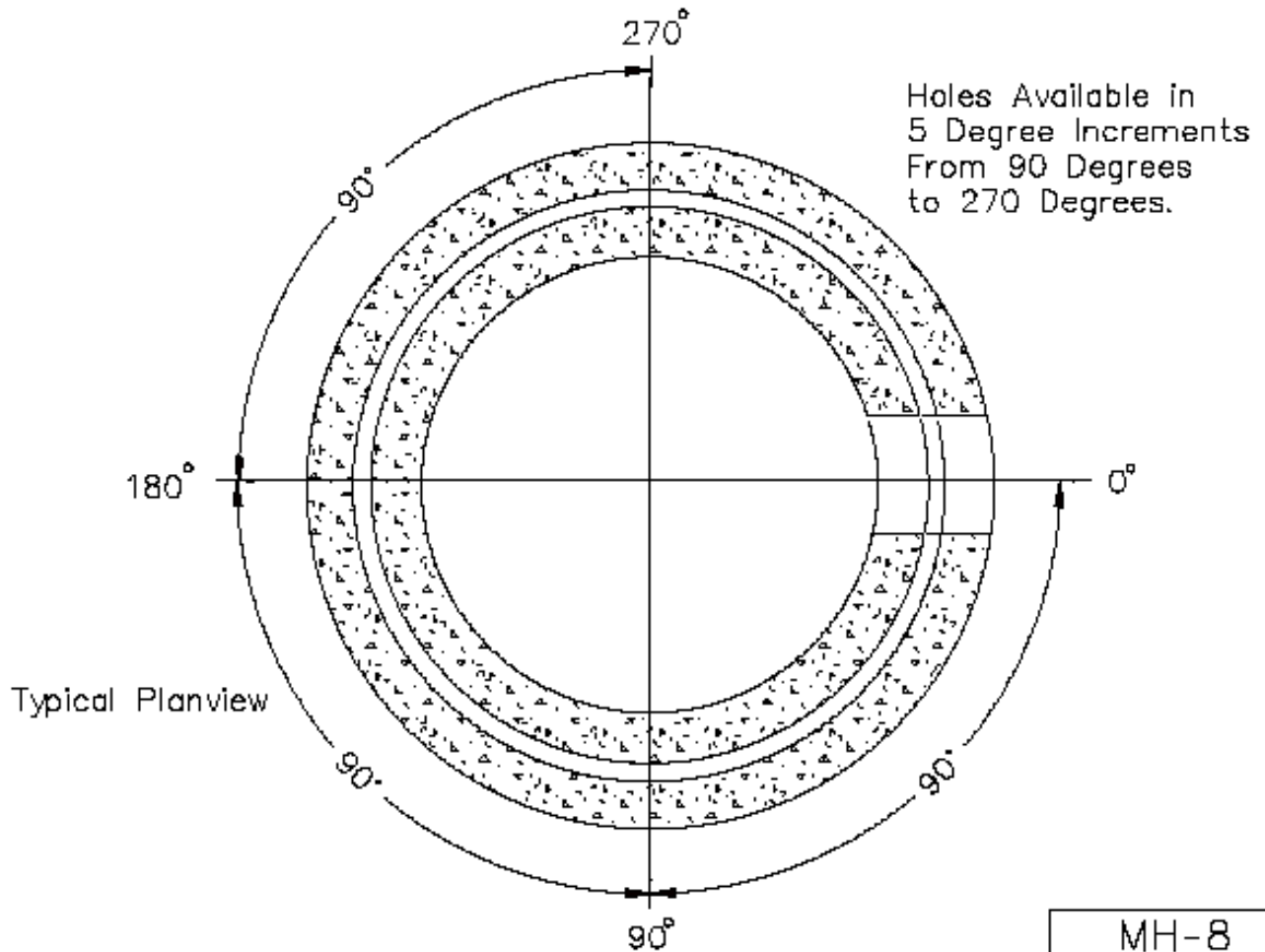
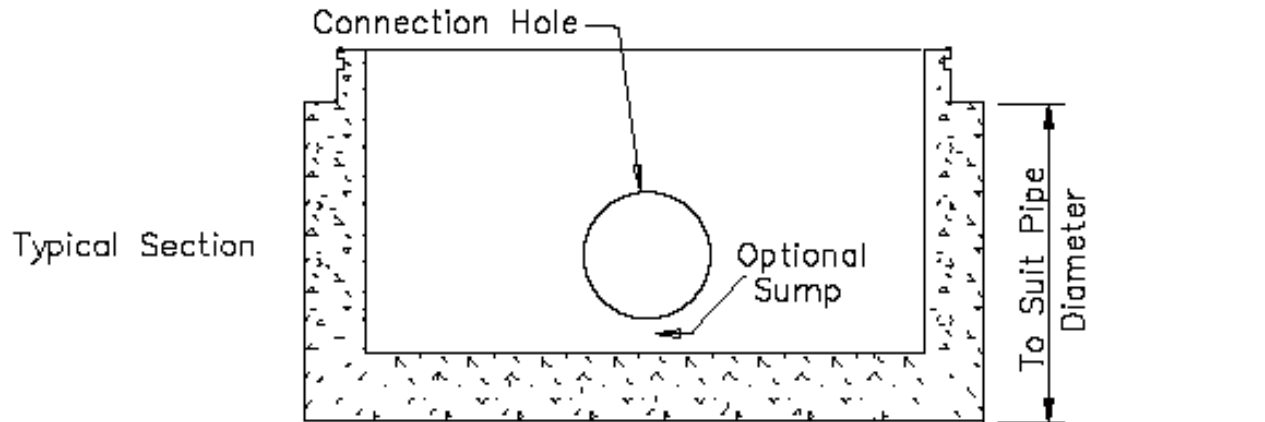
V J RICE CONCRETE LIMITED

**MANHOLE BASE
w/ BOTTOM**

VJ RICE
CONCRETE LIMITED
Specialist in concrete products

Phone: (902)665-4444
Fax: (902)665-4017
P.O. Box 388, Bridgetown
Nova Scotia, B0S 1C0

w/ ROUGH CUT HOLES OR CAST IN HOLES



MANHOLE BASE w/ BOTTOM

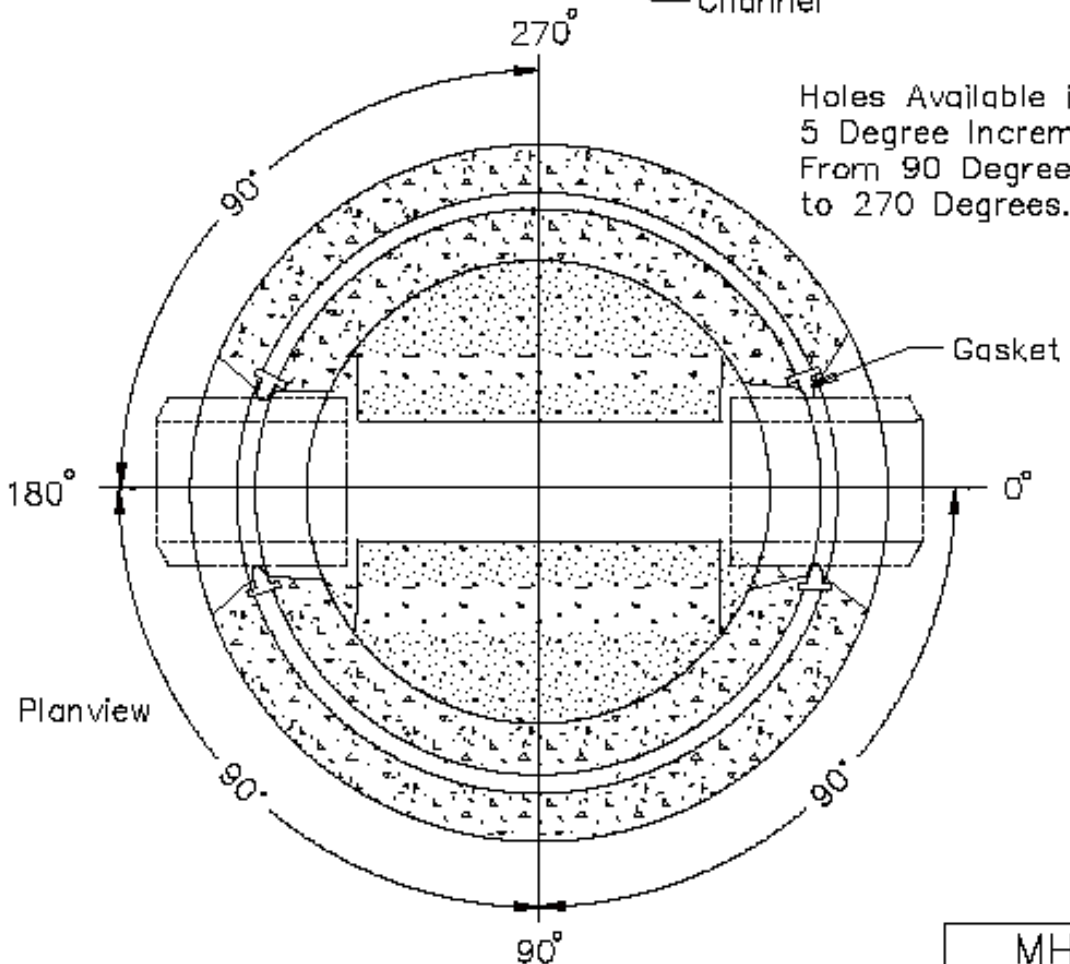
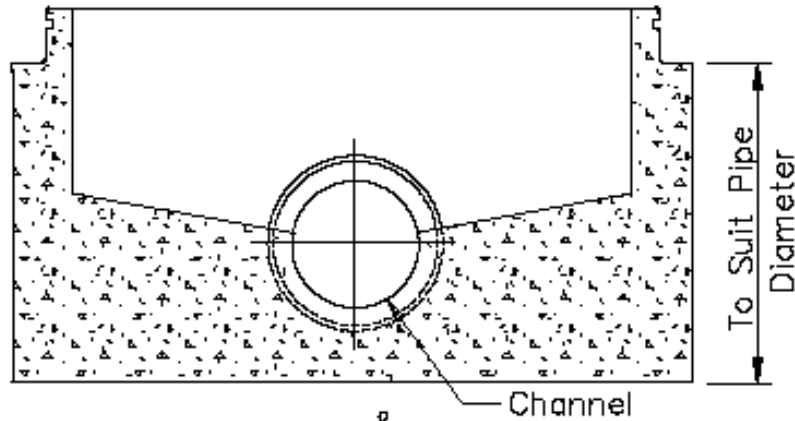
VJ RICE
CONCRETE LIMITED
Specialist in concrete products

Phone: (902)665-4444
Fax: (902)665-4017

P.O. Box 399, Bridgetown
Nova Scotia, B0S 1C0

INCLUDING INWALL GASKET AND BENCHING

Typical Section



Typical Planview

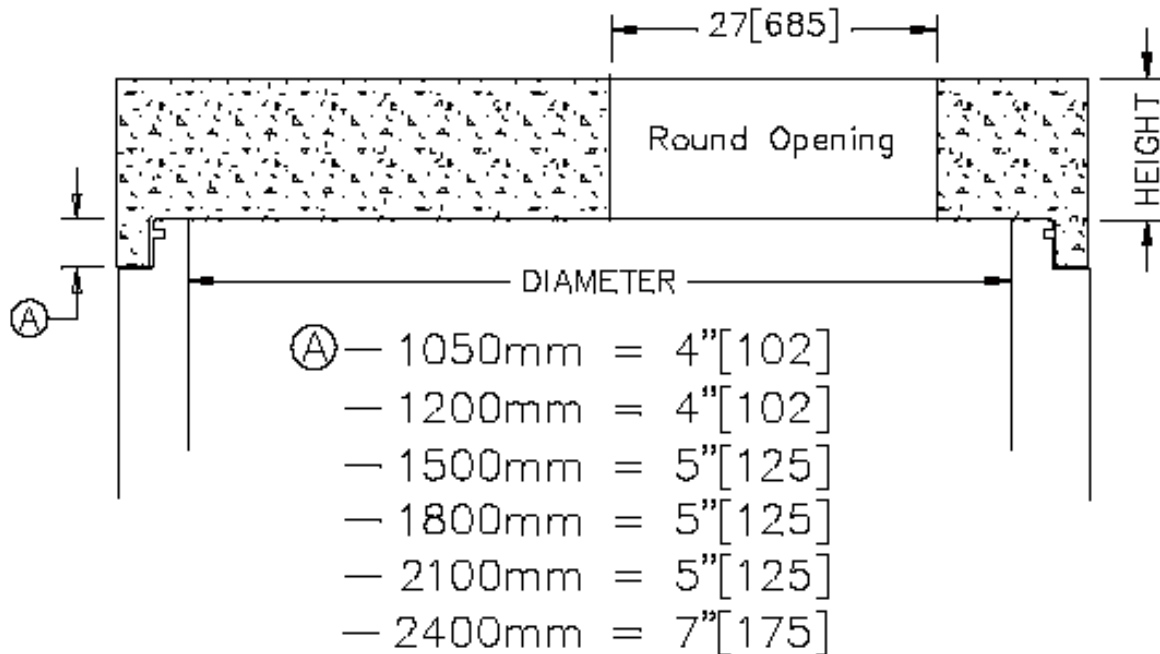
MH-9

V J RICE CONCRETE LIMITED

**MANHOLE
COVERS**

VJ RICE
CONCRETE LIMITED
Specialist in concrete products

Phone: (902)665-4444
Fax: (902)665-4017
P.O. Box 399, Bridgetown
Nova Scotia, B0S 1C0



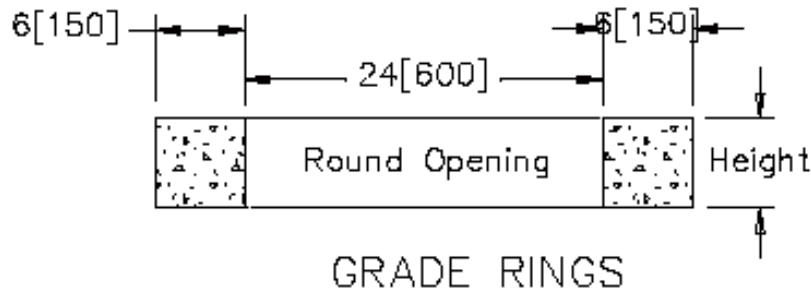
DIAMETER INCHES	HEIGHT INCHES	UNIT NAME
42	8	AGC8
48	8	EGC8
60	12	KGC12
72	12	LGC12
84	12	MGC12
96	8	QGC8

MH-10

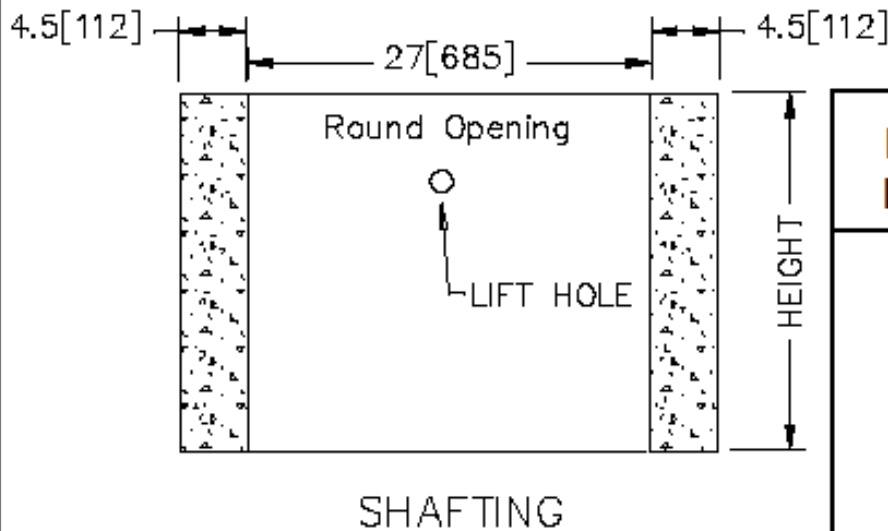
SHAFTING AND GRADE RINGS

VJ RICE
 CONCRETE LIMITED
Specialist in concrete products

Phone: (902)665-4444
 Fax: (902)665-4017
 P.O. Box 399, Bridgetown
 Nova Scotia, B0S 1C0



HEIGHT INCHES	UNIT NAME
3	G3
6	G6



HEIGHT INCHES	UNIT NAME
9	G9
12	G12
18	G18
24	G24
30	G30

NOTE: LIFT HOLES EXTEND THROUGH PRODUCT WALL.

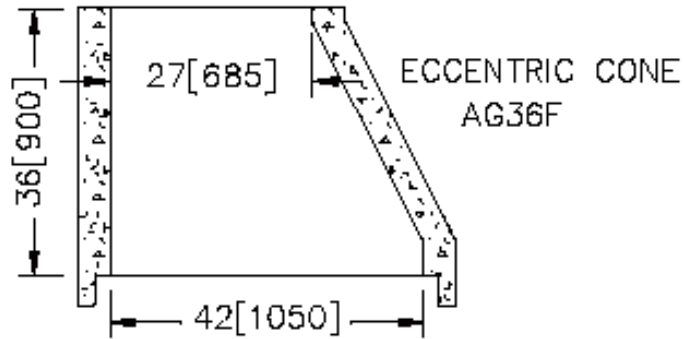
MH-11

V J RICE CONCRETE LIMITED

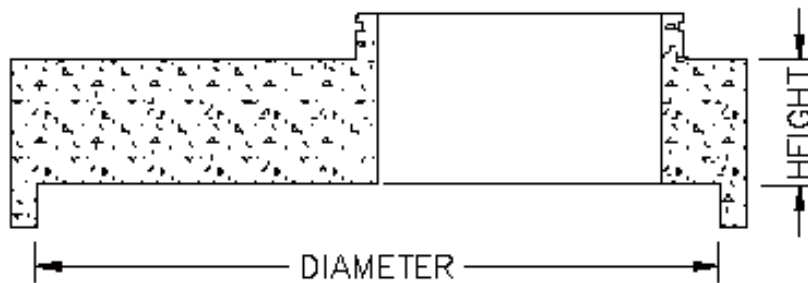
**ECCENTRIC CONE
TRANSITION COVERS**

VJ RICE
CONCRETE LIMITED
Specialist in concrete products

Phone: (902)665-4444
Fax: (902)665-4017
P.O. Box 398, Bridgetown
Nova Scotia, B0S 1C0



TRANSITION COVERS



DIAMETER INCHES	HEIGHT INCHES	UNIT NAME
48	8	TEA12
60	12	TKA17
72	12	TLA17

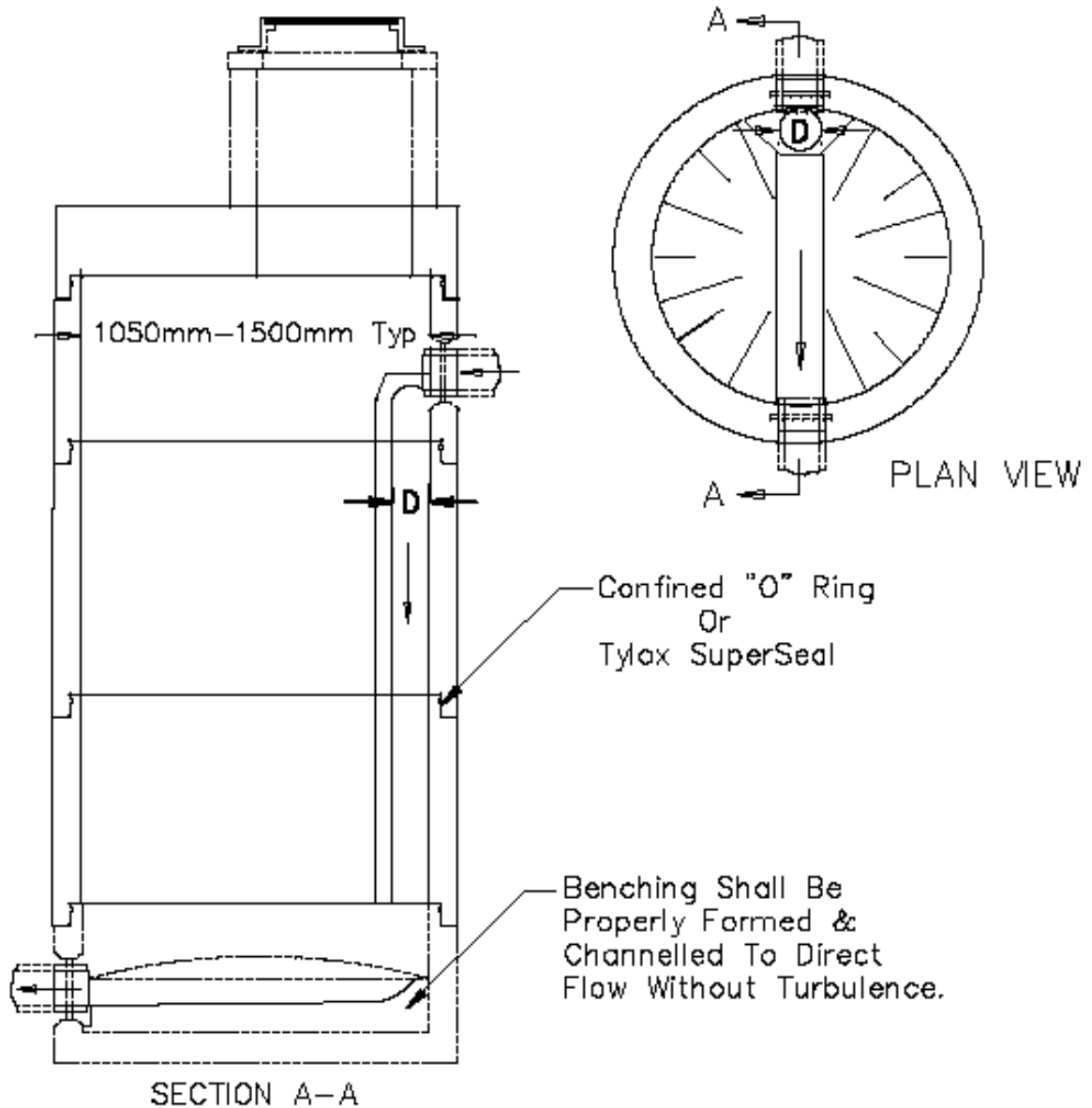
MH-12

Typical Internal Drop Manhole

VJ RICE
CONCRETE LIMITED
Specialist in concrete products

Phone: (902)865-4444
Fax: (902)685-4017

P.O. Box 389, Bridgetown
Nova Scotia, B0S 1C0



N.T.S

D=300(12") or 375(15")

MH-13

V J RICE CONCRETE LIMITED

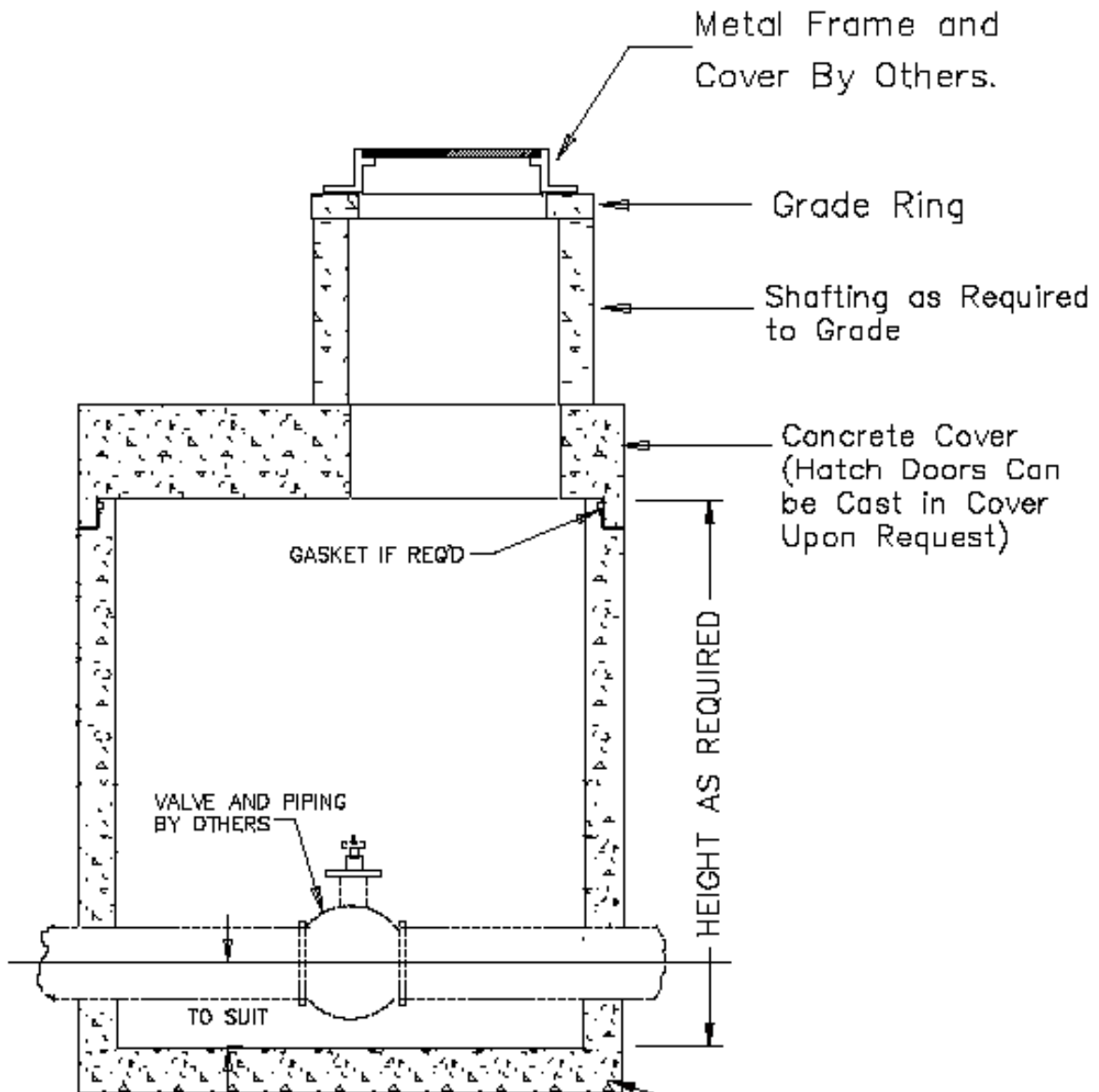
**TYPICAL VALVE BOX
AND
AIR RELEASE CHAMBER**

VJ RICE
CONCRETE LIMITED
Specialist in concrete products

Phone: (902)665-4444
Fax: (902)665-4017

P.O. Box 398, Bridgetown
Nova Scotia, B0S 1D0

1200mm, 1500mm, 1800mm, 2100mm & 2400mm



Note: Holes Rough Cut to Suit Pipe O.D. +50mm. Doghouse Opening and Gasket Unit Also Available.

MH-14

V J RICE CONCRETE LIMITED

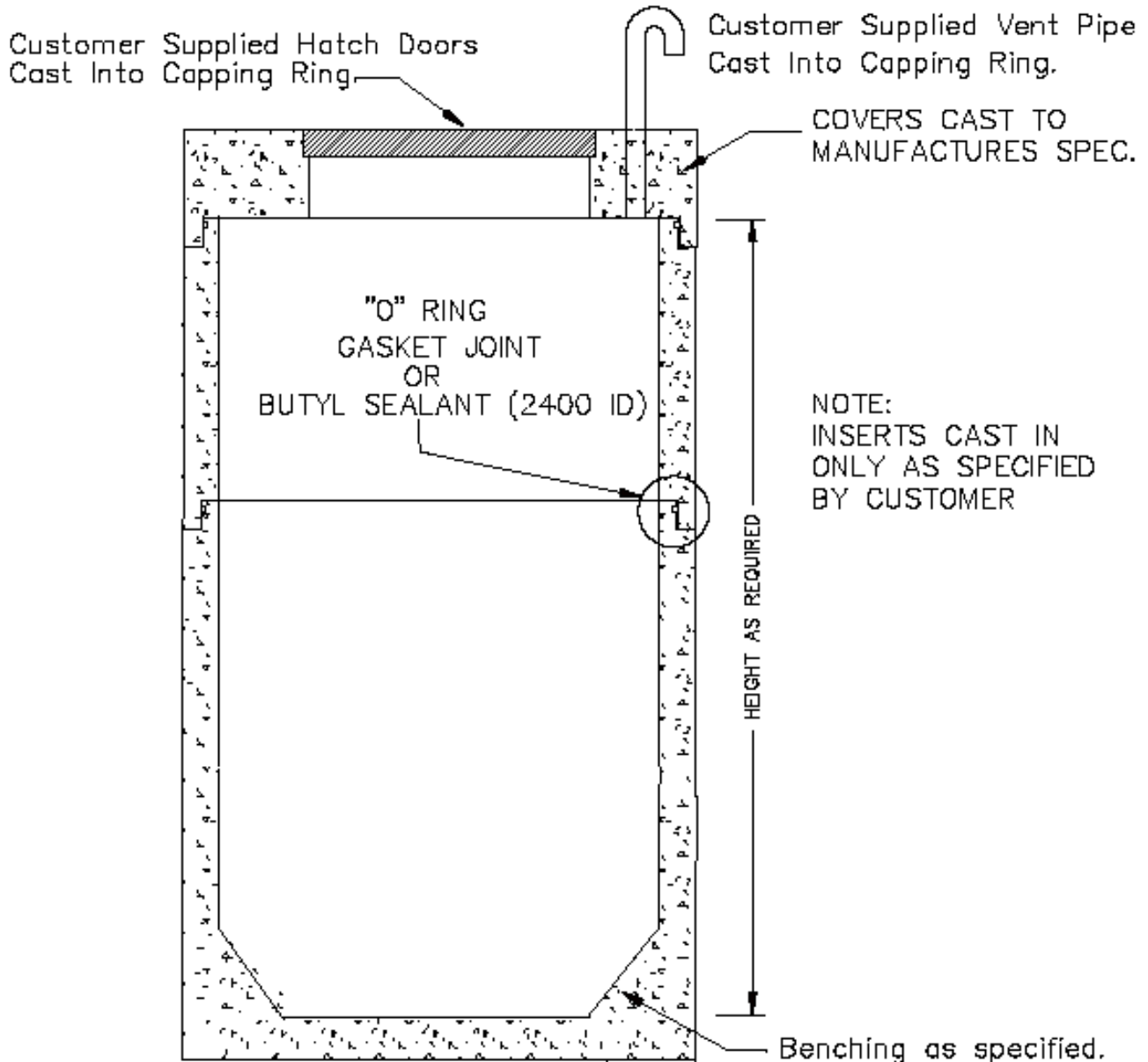
**TYPICAL
LIFT STATION**

VJ RICE
CONCRETE LIMITED
Specialist in concrete products

Phone: (902)665-4444
Fax: (902)665-4017

P.O. Box 398, Bridgetown
Nova Scotia, B0S 1C0

1500mm, 1800mm, 2100mm and 2400mm



Note: Holes Rough Cut to Suit Pipe
O.D. +50mm. Benchng As Specified
By Customer. Gasket Unit Available.

MH-15

JOINTING PROCEDURES

VJ RICE
 CONCRETE LIMITED
Specialist in concrete products

Phone: (902)665-4444
 Fax: (902)665-4017
 P.O. Box 399, Bridgetown
 Nova Scotia, B0S 1C0

FOR "O"RING GASKETED MANHOLE.

STEP 1
 Clean all dirt and foreign material from bell and spigot surfaces.

STEP 2 & STEP 3
 Generously lubricate oring and spigot area.

STEP 4
 Stretch gasket around spigot. Insert a smooth object, such as a screwdriver, under the gasket and run it around several times. This equalizes the stretch in the gasket.

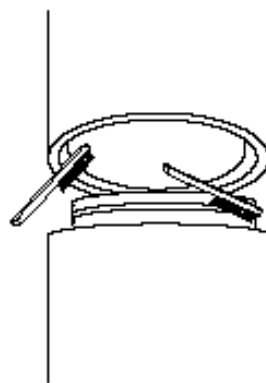
STEP 5
 Generously rub lubricant into the bell surface over the entire circumference.

STEP 6
 Assemble the two pieces together in accordance with recommended jointing procedures.

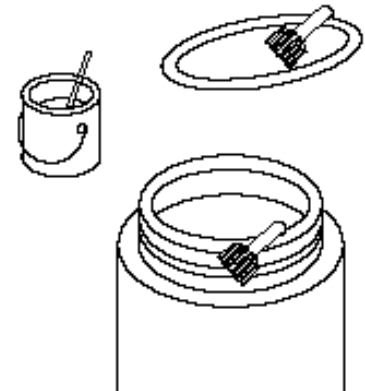
Note:

Failure to follow this procedure will result in leakage problems as well as possible damage to the bell.

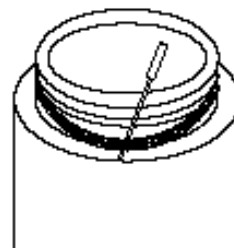
STEP 1



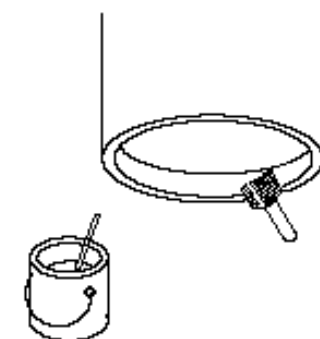
STEP 2 & 3



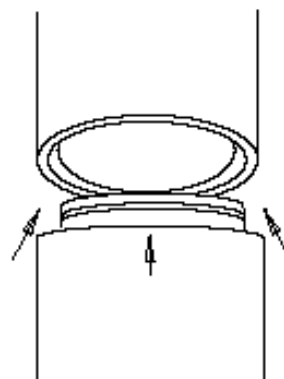
STEP 4



STEP 5



STEP 6



"O" RING GASKET JOINT



MH-16

JOINTING PROCEDURES

VJ RICE
 CONCRETE LIMITED
Specialist in concrete products

Phone: (902)665-4444
 Fax: (902)665-4017
 P.O. Box 389, Bridgetown
 Nova Scotia, B0S 1C0

FOR TYLOX SUPERSEAL GASKETED MANHOLE.

STEP 1

Clean all dirt and foreign material from bell and spigot surfaces.

STEP 2 & STEP 3

DO NOT lubricate gasket or spigot area.

STEP 4

Stretch gasket over spigot. Place nose of gasket against step, and the tube laying flat against the spigot.

STEP 5

DO NOT rub lubricant into the bell surface.

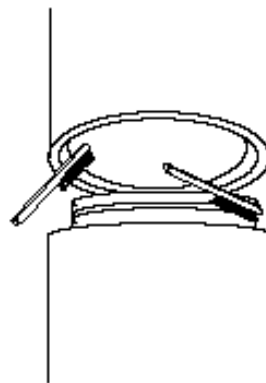
STEP 6

Align the spigot with the bell, ensuring that the gasket is in contact with bell around the complete periphery, then allow the manhole section to home under its own weight.

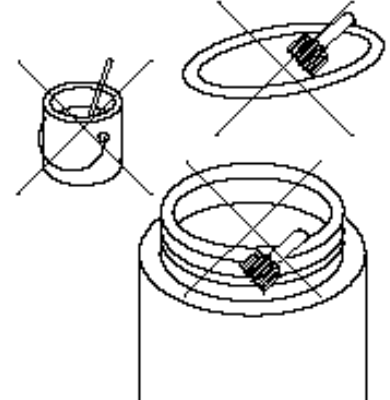
Note:

Failure to follow this procedure will result in leakage problems as well as possible damage to the bell.

STEP 1



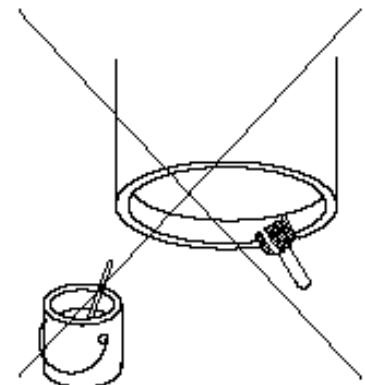
STEP 2 & 3



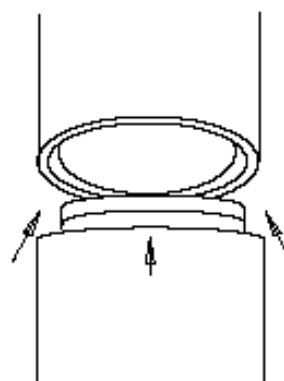
STEP 4



STEP 5



STEP 6



SUPERSEAL JOINT



MH-16a

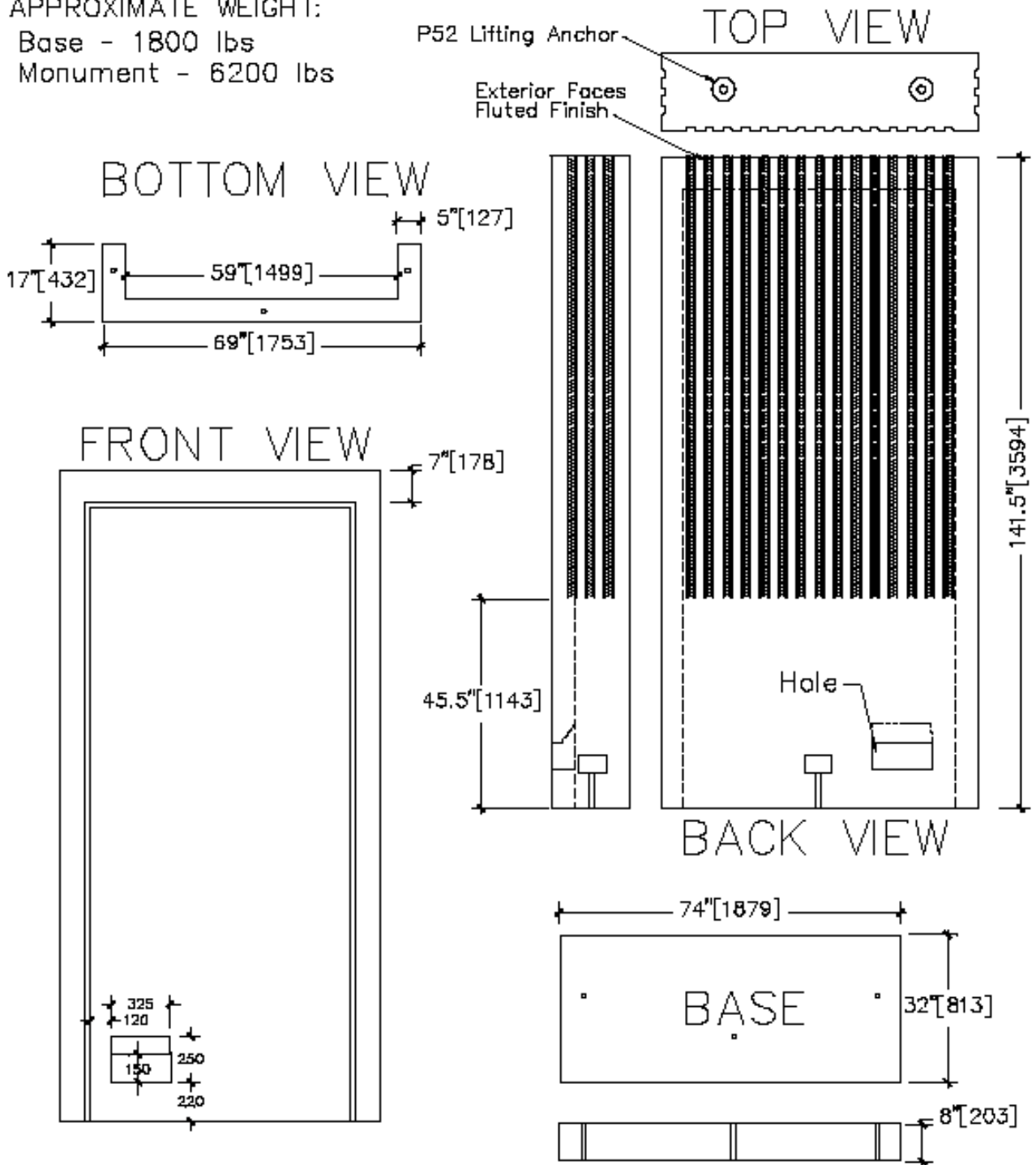
V J RICE CONCRETE LIMITED

Large Mounting Structure

VJ RICE
 CONCRETE LIMITED
Specialist in concrete products

Phone: (902)665-4444
 Fax: (902)665-4017
 P.O. Box 399, Bridgetown
 Nova Scotia, B0S 1C0

APPROXIMATE WEIGHT:
 Base - 1800 lbs
 Monument - 6200 lbs

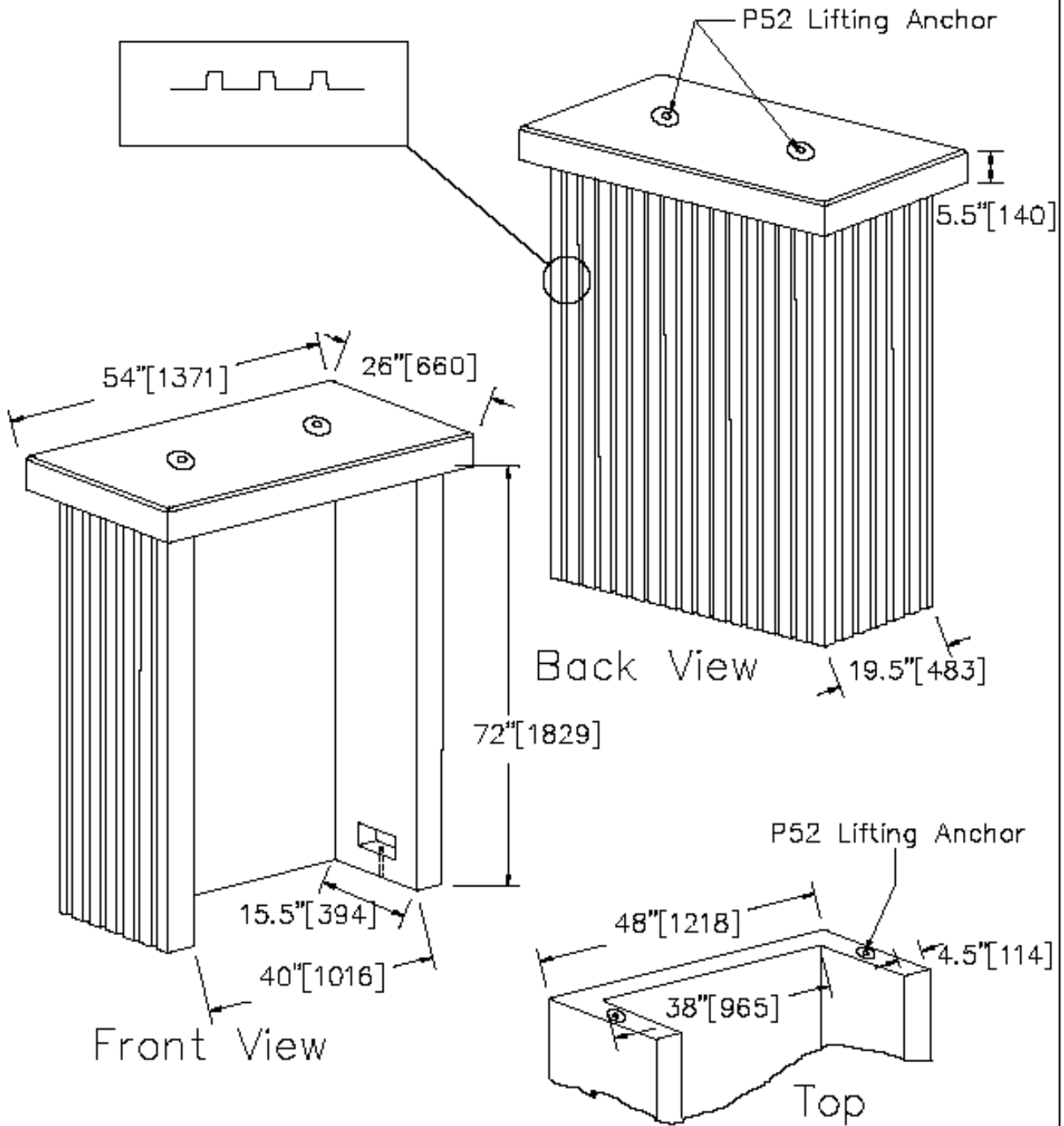


MH-17

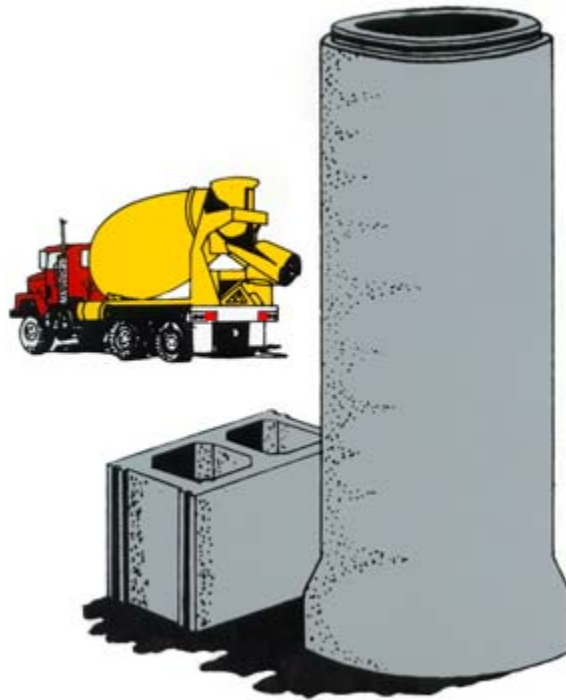
Small Mounting Structure

VJ RICE
CONCRETE LIMITED
Specialist in concrete products

Phone: (902)665-4444
Fax: (902)665-4017
P.O. Box 399, Bridgetown
Nova Scotia, B0S 1C0



MH-18



V J RICE CONCRETE LIMITED

#1 Rice Road
Bridgetown, NS
B0S 1C0

Phone: 902-665-4444
Fax: 902-665-4017
E-mail: sales@riceconcrete.ca