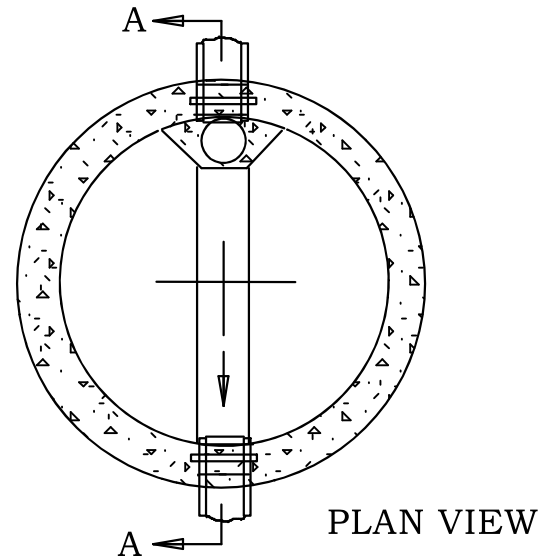
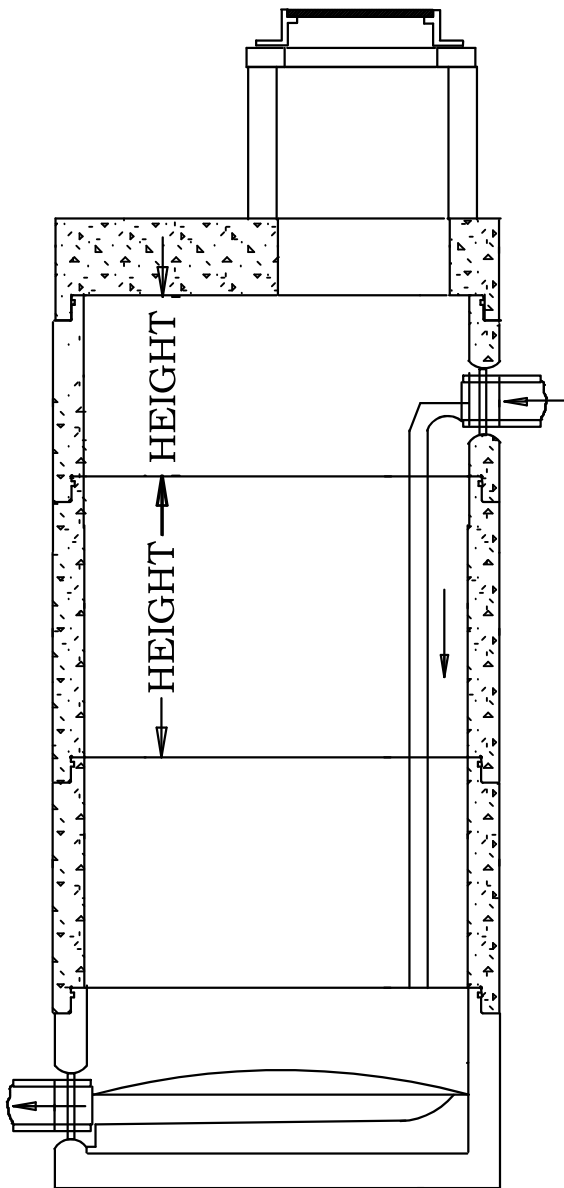


Typical Internal Drop Manhole



N.T.S



SECTION A-A

A=42"(1050MM) ID
E=48"(1200MM) ID

HEIGHT INCHES	TOP CHANNEL UNIT	INTERMEDIATE CHANNEL UNIT
12	AI24T	AI12D
24		AI24D
24		
6		EI6D
8		EI8D
10		EI10D
12		EI12D
14		EI14D
16		EI16D
18		EI18D
24	EI24DT	EI24D
30	RI30DT	EI30D
36	EI36DT	
48	EI48T	