

JOINTING PROCEDURES

VJRICE
CONCRETE
LIMITED

Phone:(902)665-4444
Fax: (902)665-4017
P.O Box 399, Bridgetown
Nova Scotia, B0S 1C0
www.riceconcrete.ca

FOR TYLOX SUPERSEAL GASKETED MANHOLE

STEP 1

Clean all dirt and foreign material from bell and spigot surfaces.

STEP 2 & STEP 3

DO NOT lubricate gasket or spigot area.

STEP 4

Stretch gasket over spigot. Place nose of gasket against step, and the tube laying flat against the spigot.

STEP 5

DO NOT rub lubricant into the bell surface.

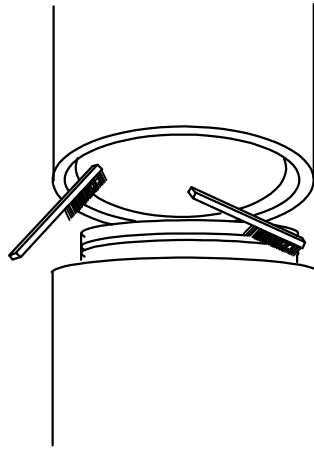
STEP 6

Align the spigot with the bell, ensuring that the gasket is in contact with bell around the complete periphery, then allow the manhole section to home under its own weight.

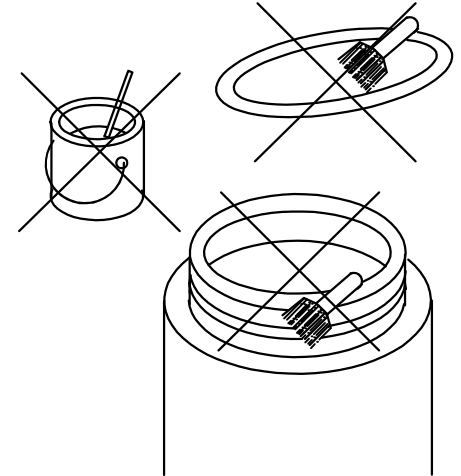
Note:

Failure to follow this procedure will result in leakage problems as well as possible damage to the bell.

STEP 1



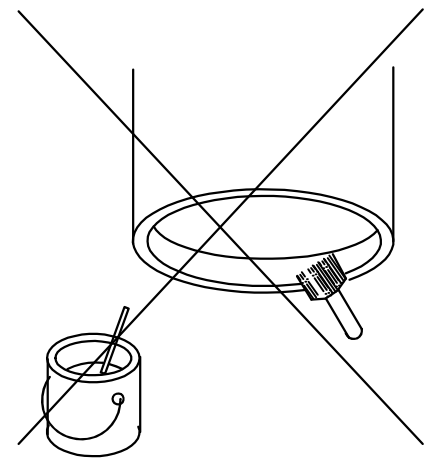
STEP 2 & 3



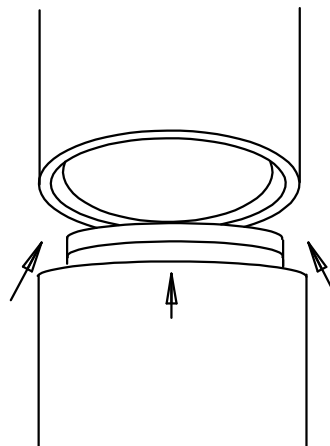
STEP 4



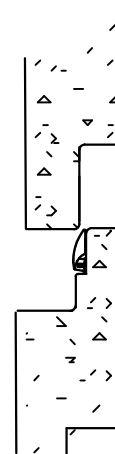
STEP 5



STEP 6



SUPERSEAL JOINT



MH-16a