

# JOINTING PROCEDURES

## FOR "O"RING GASKETED MANHOLE.

### STEP 1

Clean all dirt and foreign material from bell and spigot surfaces.

### STEP 2 & STEP 3

Generously lubricate oring and spigot area.

### STEP 4

Stretch gasket around spigot. Insert a smooth object, such as a screwdriver, under the gasket and run it around several times. This equalizes the stretch in the gasket.

### STEP 5

Generously rub lubricant into the bell surface over the entire circumference.

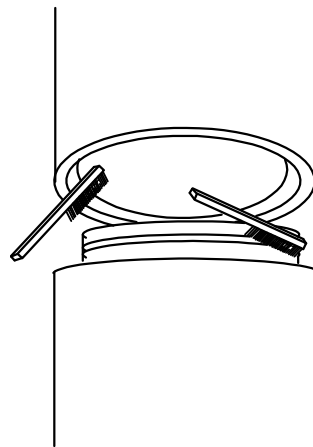
### STEP 6

Assemble the two pieces together in accordance with recommended jointing procedures.

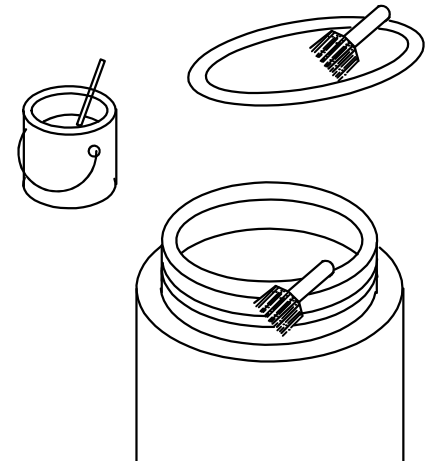
### Note:

Failure to follow this procedure will result in leakage problems as well as possible damage to the bell.

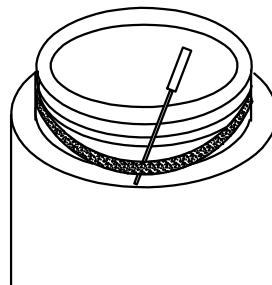
### STEP 1



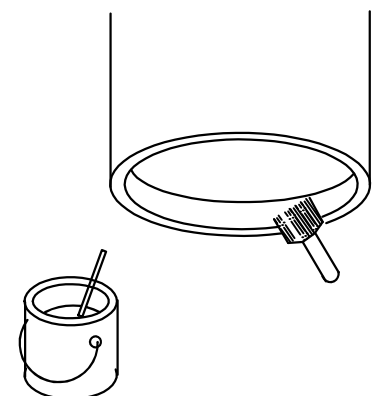
### STEP 2 & 3



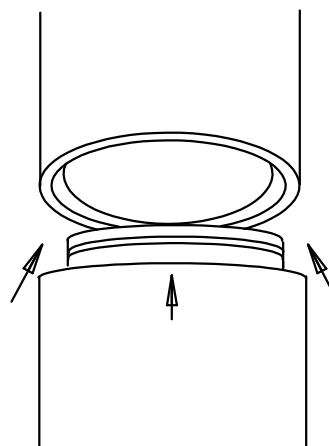
### STEP 4



### STEP 5



### STEP 6



### "O" RING GASKET JOINT

