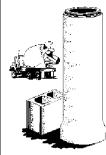


Inlet Headwall & Grate Detail



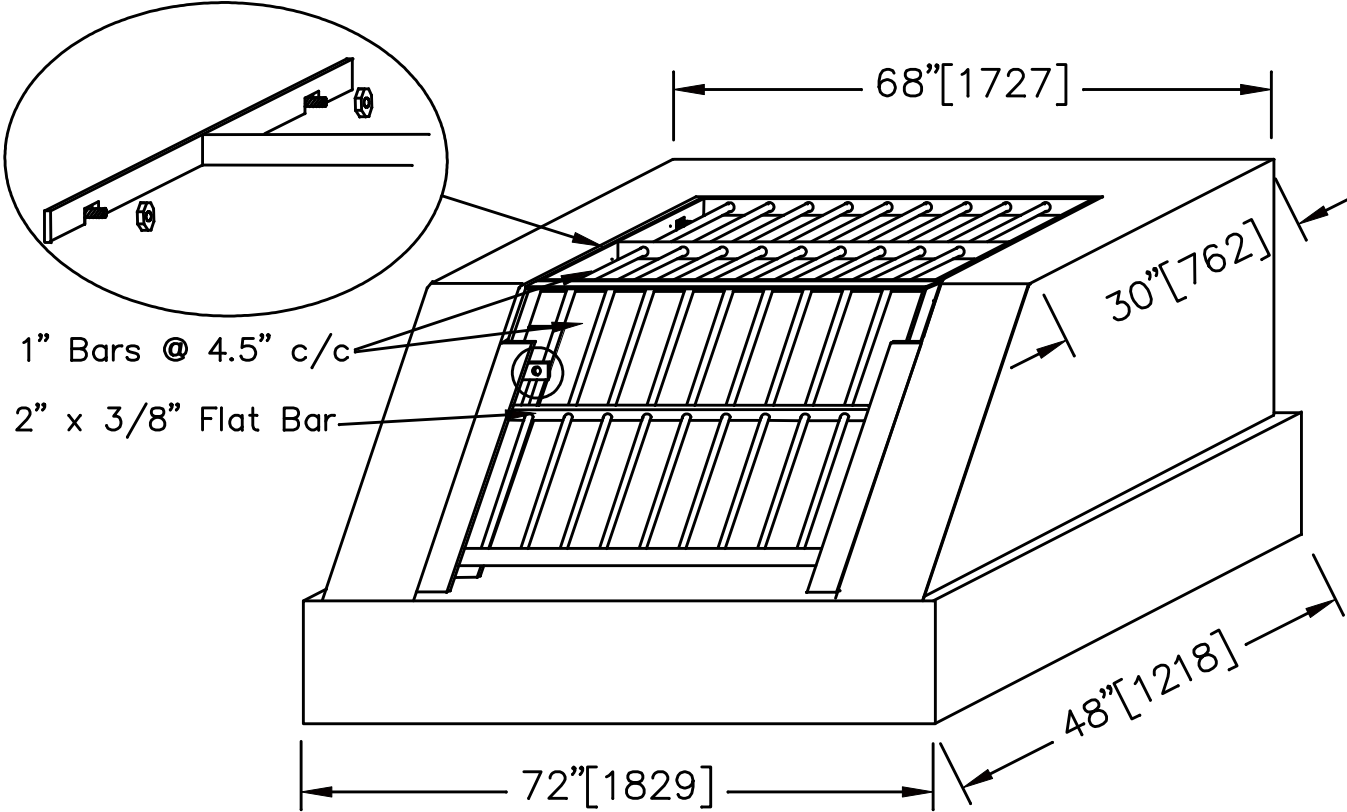
VJRICE
CONCRETE LIMITED
Specialist in concrete products.

Phone (902) 665-4444
Fax (902) 665-4017

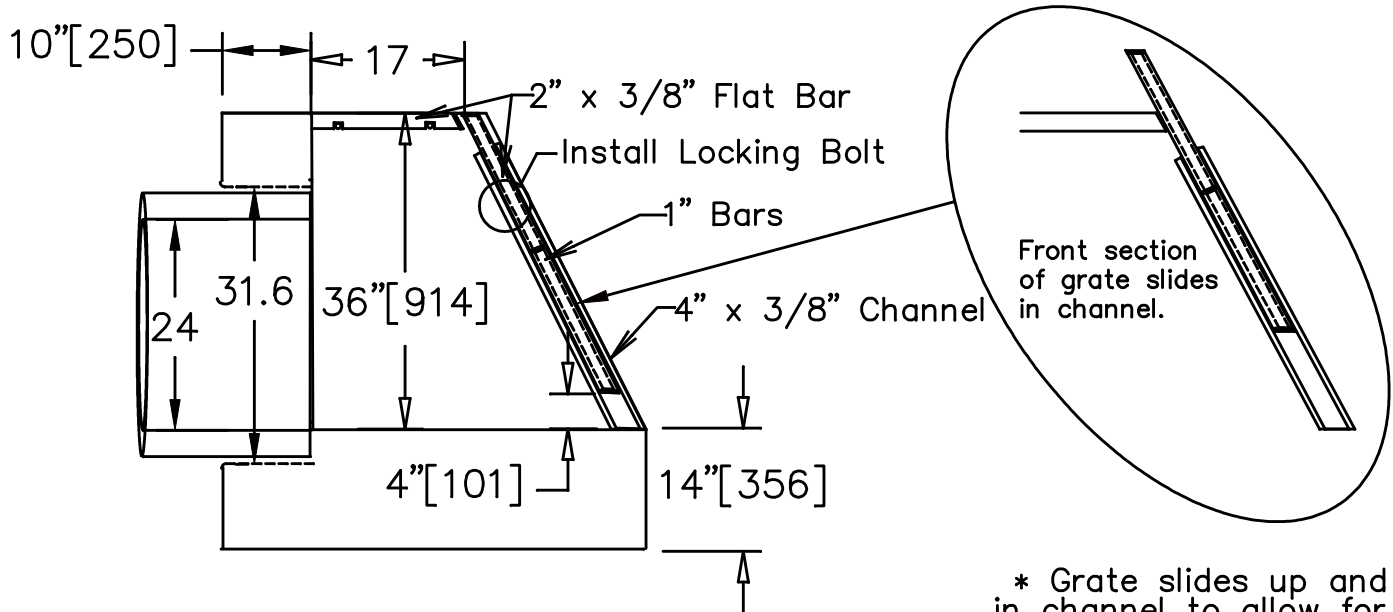
P.O. Box 399, Bridgetown
Nova Scotia, B0S 1C0

Headwall has 10" [250mm] concrete walls
c/w 5/8" [15mm] rebar 12" [300mm] each
way, 4000 PSI (28mpa) concrete to be used.

Note: For Grate Only;
All fabricated steel to be
hot dipped galvanized after
fabrication.



Side View (Cutaway)

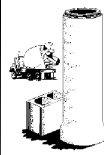


* Grate slides up and down
in channel to allow for
maintenance.

* Grates may not be required for pipes 12"/300mm and smaller.

RC-12a

Outlet Headwall & Grate Detail

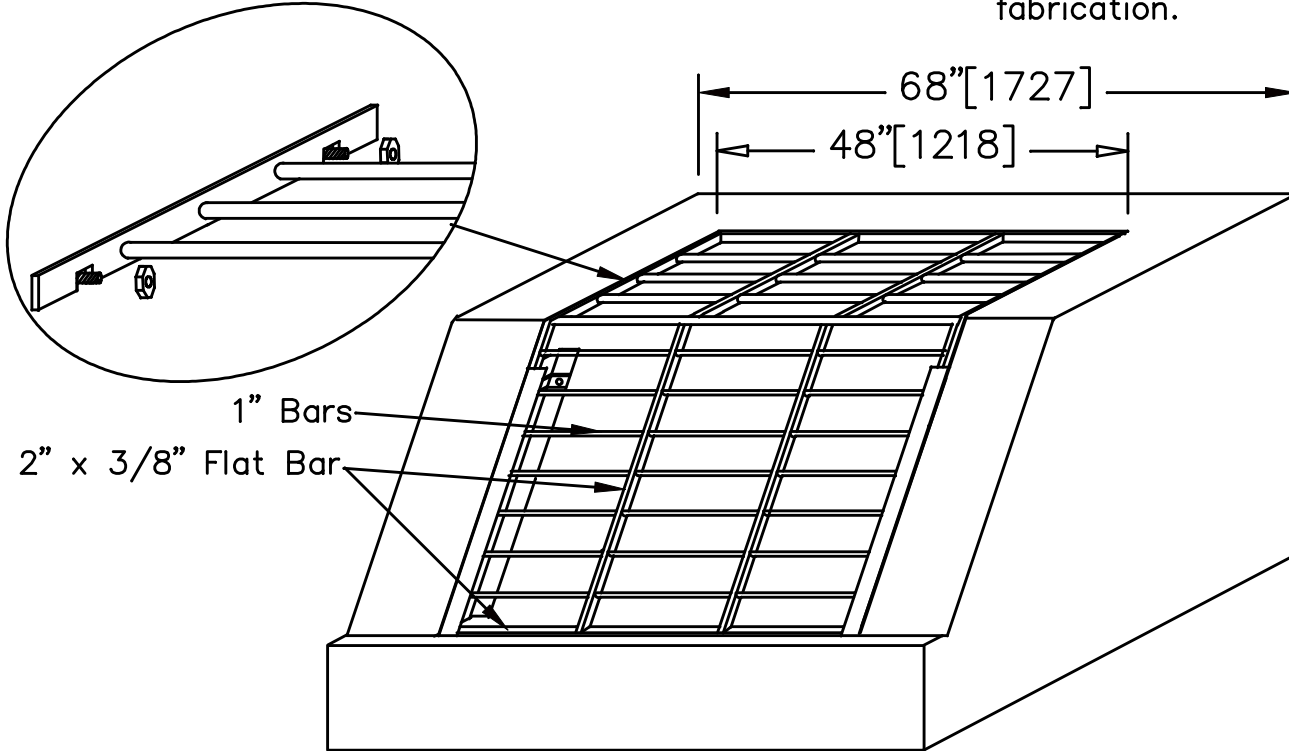


VJRICE
CONCRETE LIMITED
Specialist in concrete products.

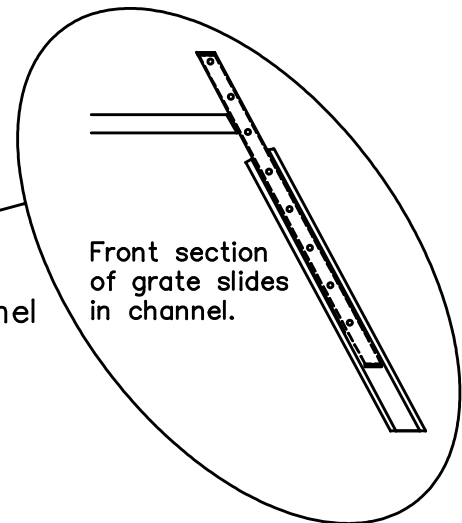
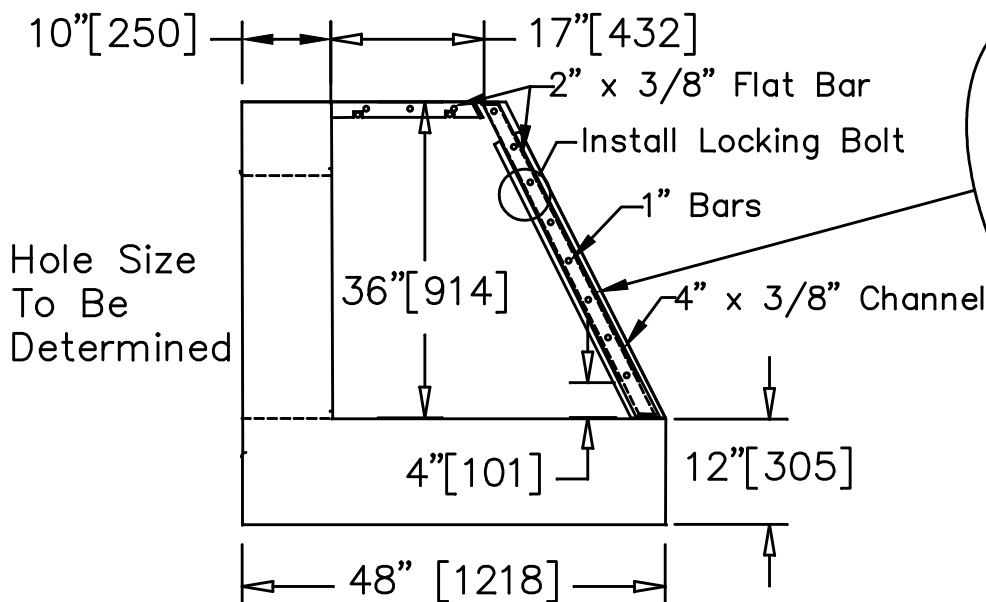
Phone (902) 665-4444
Fax (902) 665-4017
P.O. Box 399, Bridgetown
Nova Scotia, B0S 1C0

Headwall has 10"[250mm] concrete walls
c/w 5/8" [15mm] rebar 12" [300mm] each
way, 4000 PSI (28mpa) concrete to be used.

Note: For Grate Only;
All fabricated steel to be
hot dipped galvanized after
fabrication.



Side View (Cutaway)



* Grate slides up and down in channel to allow for maintenance.

* Grates may not be required for pipes 12"/300mm and smaller.

RC-12