

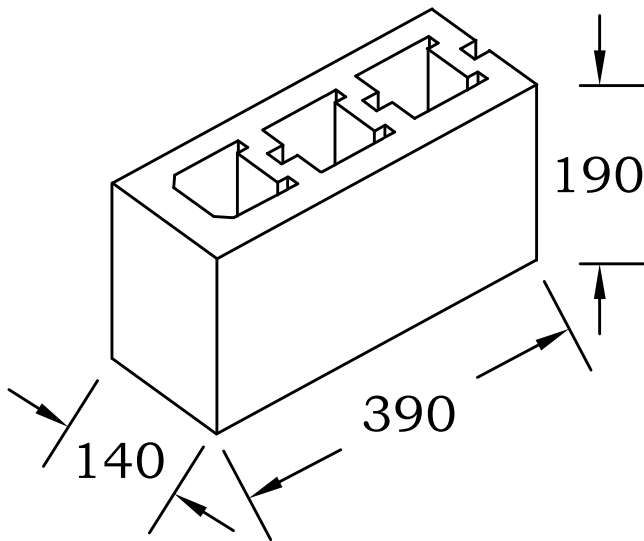
150mm Concrete Block

VJRICE
CONCRETE
LIMITED

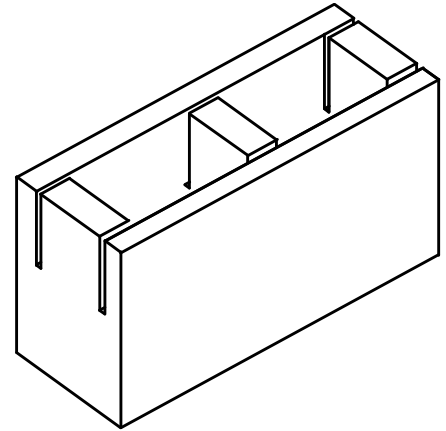
Phone:(902)665-4444
Fax: (902)665-4017
P.O Box 399, Bridgetown
Nova Scotia, B0S 1C0

140mm x 190mm x 390mm

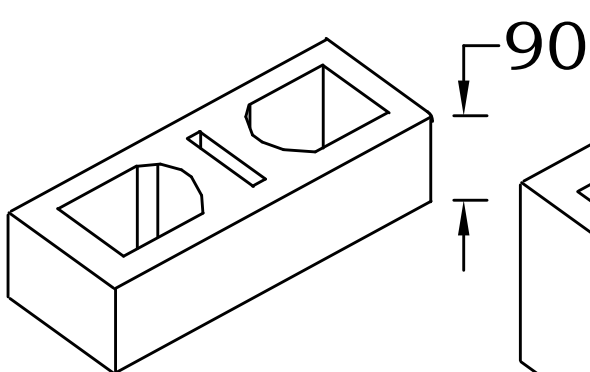
Utility Stretcher



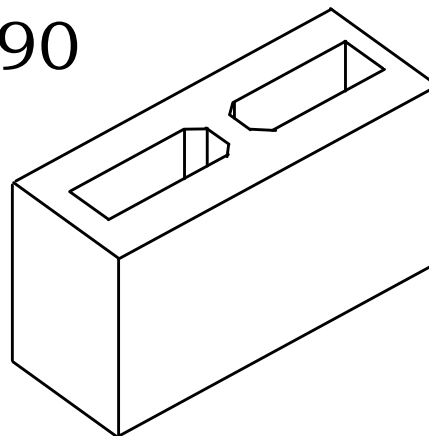
Knockout Bond Beam



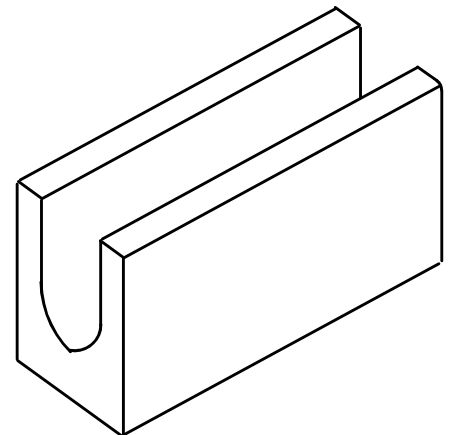
Half Height



Semi Solid



Channel Bond Beam



BLK-2a